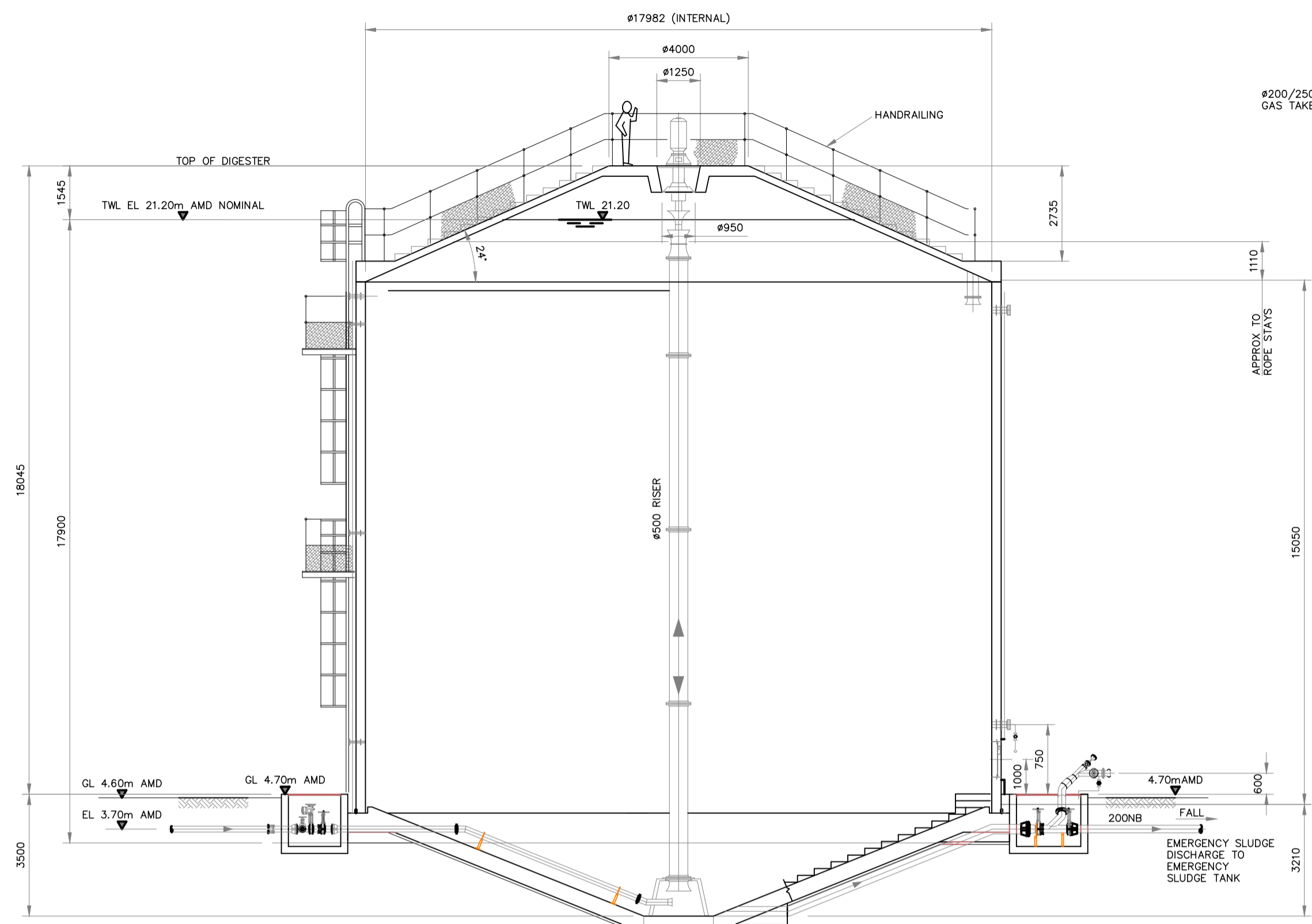
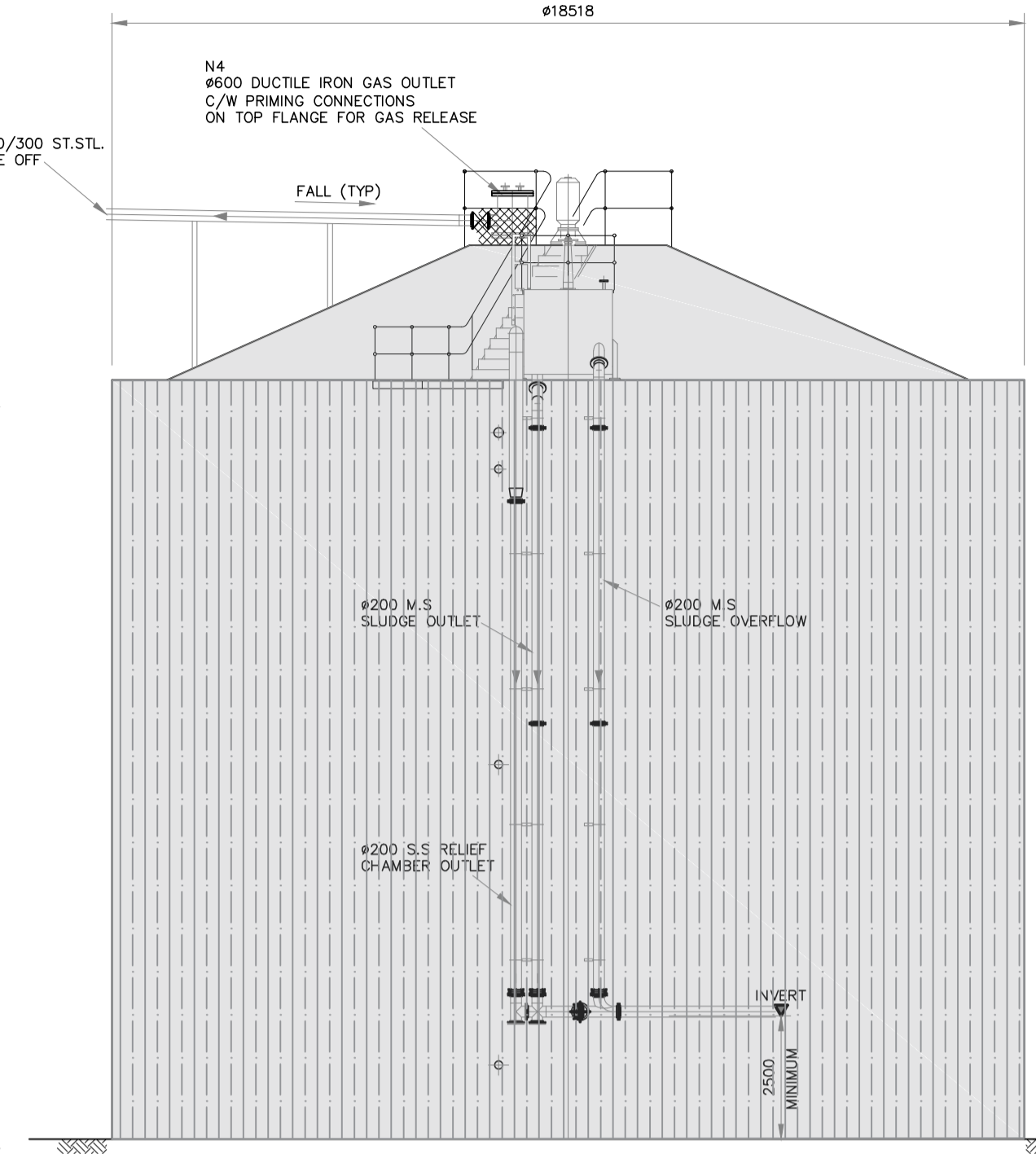


NOTE: CONFIDENTIAL, NO THIRD PARTY DISCLOSURE ALLOWED.
 All rights reserved.
 © J.B. Barry and Partners
 T.J. O'Connor and Associates
 Royal Haskoning DHV 2014

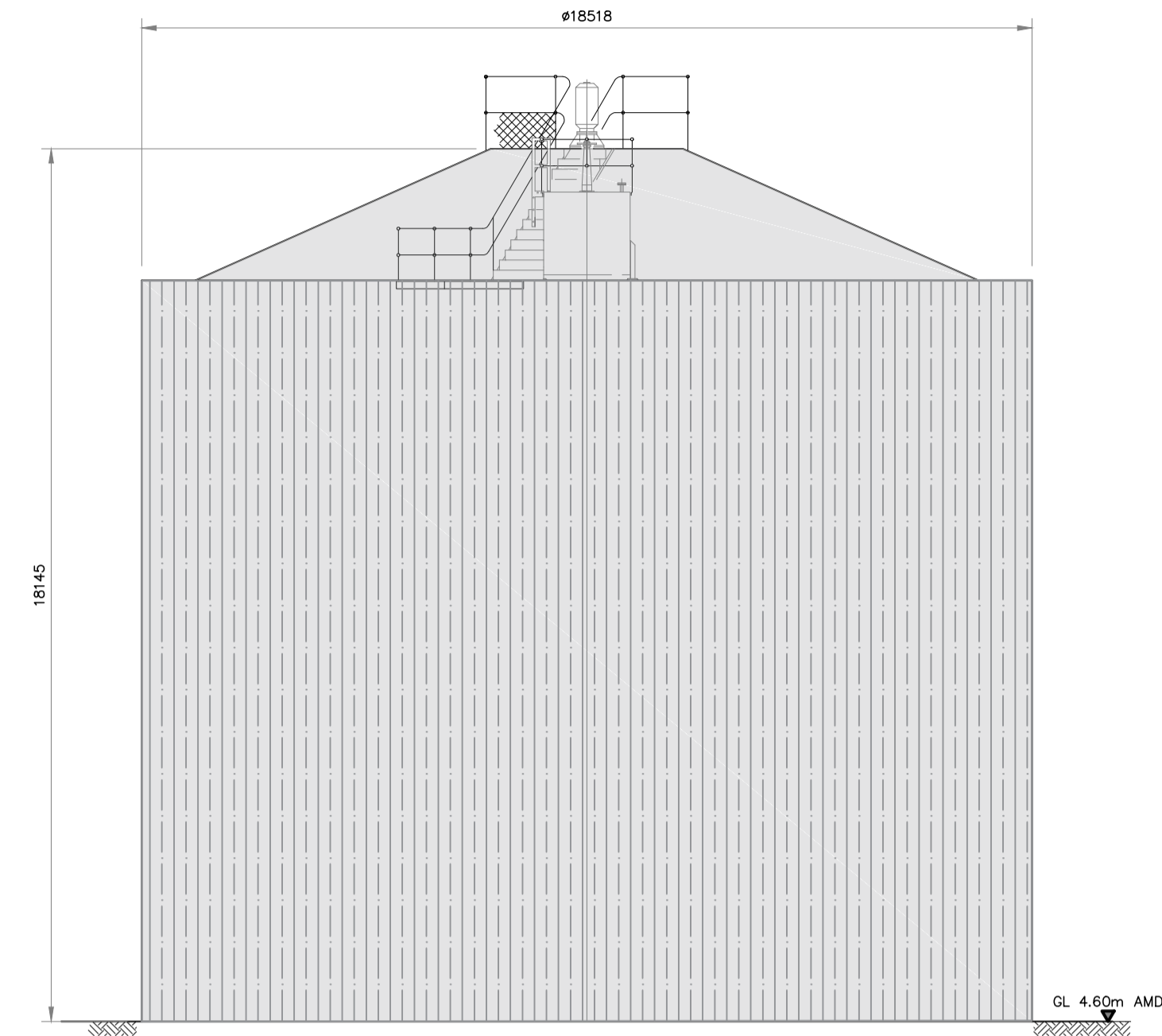
- All levels are in metres and relate to O.S. Datum MALIN.
- This drawing is reproduced from digital maps:
 O.S. MAPS - Scale 1:2,500
 O.S. MAPS - Scale 1:1,000
 Discovery Series - Scale 1:50,000
- All Maps are referenced to IRISH NATIONAL GRID (I.T.M.).
- Reproduced from the Ordnance Survey of Ireland by Permission of the Government. License No. 3-3-34.



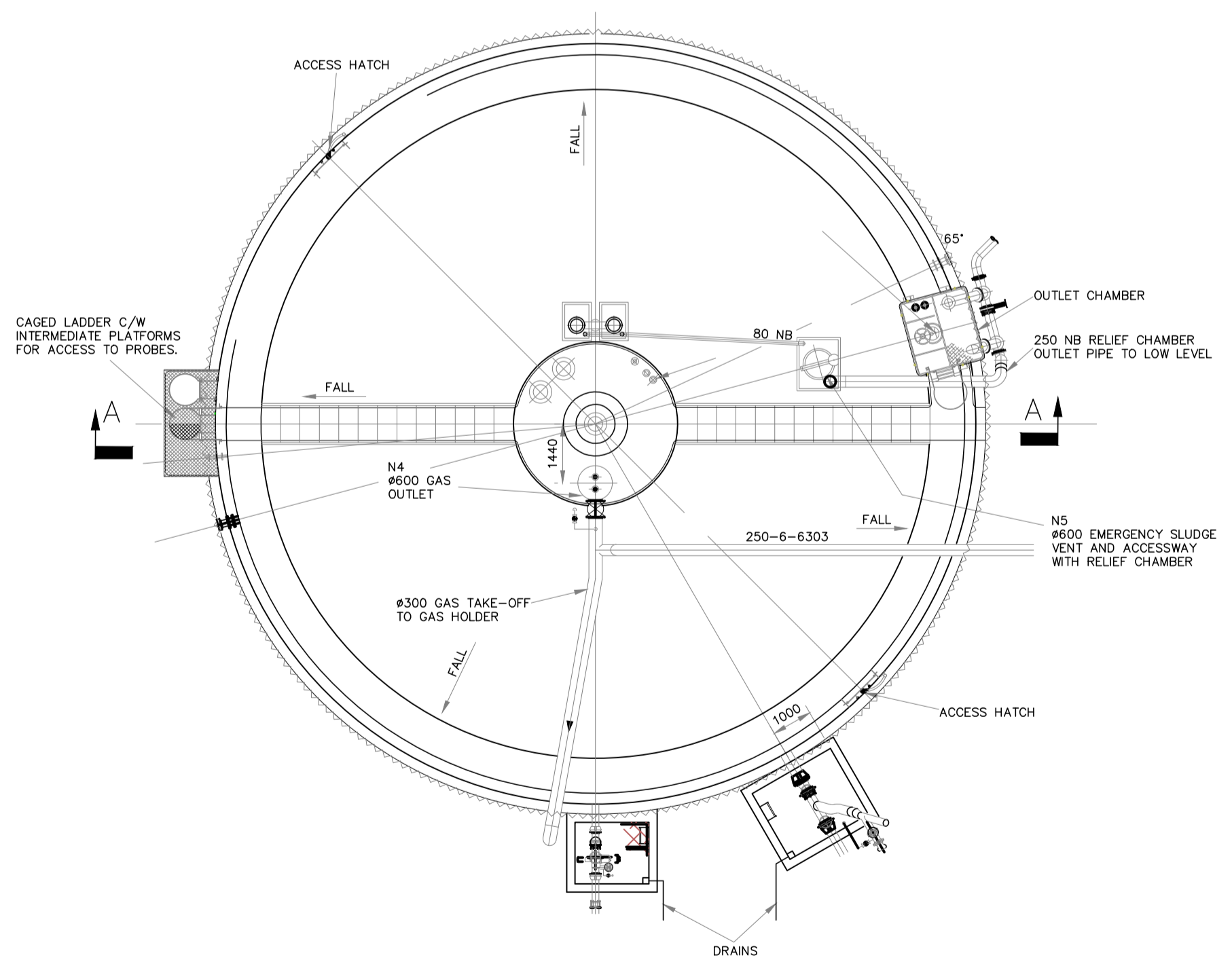
SECTION A-A



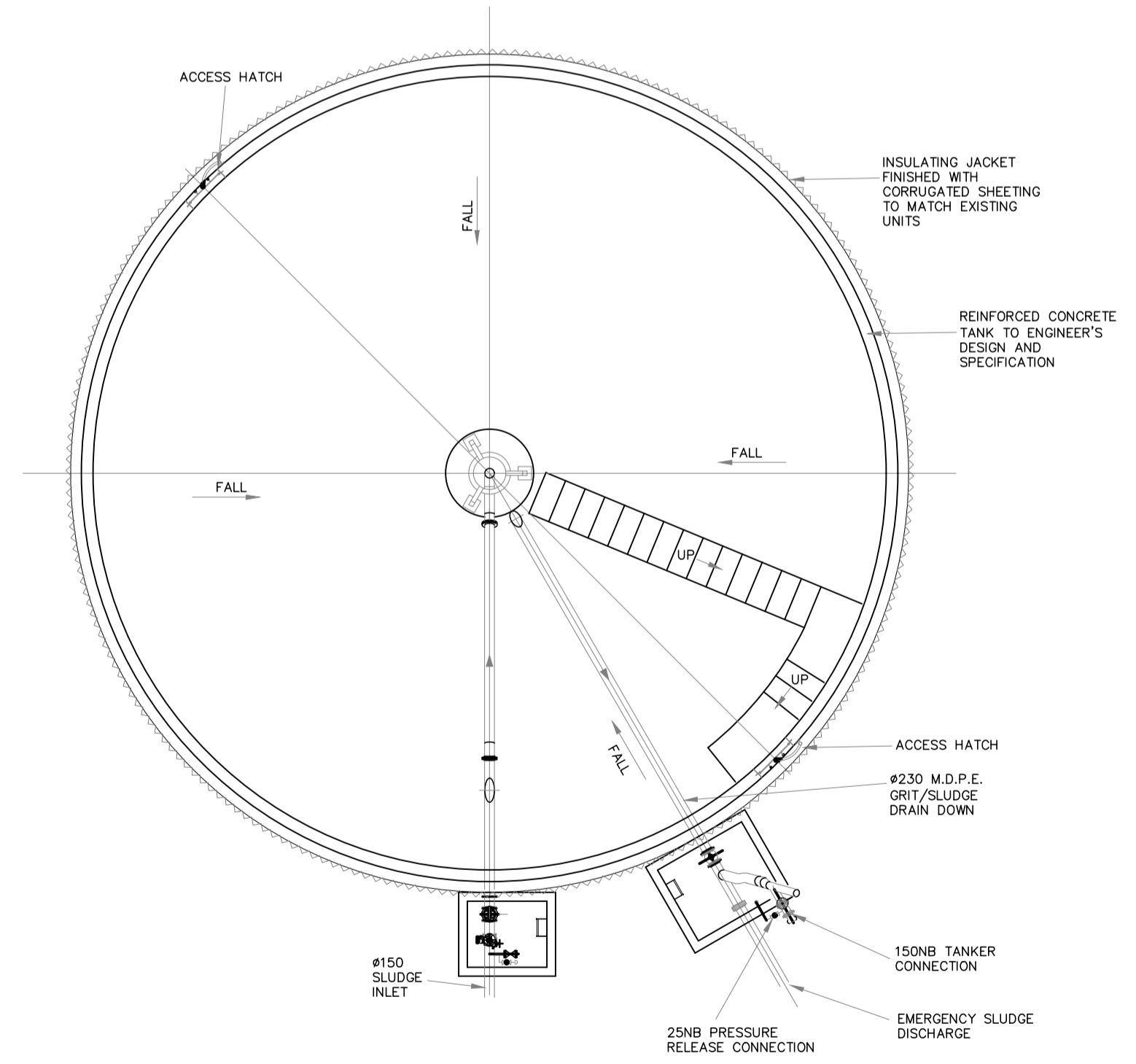
EAST ELEVATION



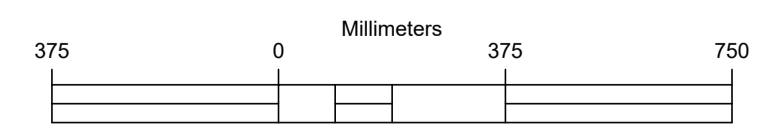
NORTH ELEVATION



SECTIONAL TOP PLAN @ EL. 23.00m AMD



SECTION PLAN VIEW ON EL. 6.00m AMD



Rev.	Date	Drawn	Checked	Approved	Description
0	JUNE 2018	LA	MH	MH	PLANNING APPLICATION

Client:

Colvill House
 24-26 Talbot St
 Dublin 1
 Tel: 1890 278 278
 Int'l: +353-1-707 2828
 email: info@water.ie
 Web: www.water.ie

Scheme:
RINGSEND WASTEWATER TREATMENT PLANT UPGRADE PROJECT

Component:
RINGSEND WASTEWATER TREATMENT PLANT RINGSEND WASTEWATER TREATMENT PLANT

TJ O'Connor & Associates

Corrig Road,
 Sandyford
 Dublin 18, Ireland
 Tel: +353-1-2952321
 email: tjoc@iol.ie
 Web: www.tjoc.ie

J. B. Barry and Partners

Classon House
 Dundrum Business Park
 Dundrum Road
 Dublin 14
 Tel: +353-1-485 1400
 email: info@jbbarry.ie
 Web: www.jbbarry.ie

Royal HaskoningDHV

PO Box 1132
 3800 BC Amersfoort
 The Netherlands
 Tel: +31-88-3482000
 email: info@rhdhv.com
 Web: www.royalhaskoningdhv.com

Drawn By:	Checked By:	Approved By:	Date:
LHA	MH	MH	JAN 2018

Client Project Ref:	Project Stage:
IW-RGD/10000308	

Internal Project Ref:
 Ring01/JBB-Y14701/TJOC-14040/RHDHV-BB4342 @A1

Drawing Title:
SLUDGE DIGESTER PLAN, ELEVATION AND SECTION

Scales:
 1:125@A1 1:250@A3

Drawing No.:	Rev:
Y15710-PL-954	0